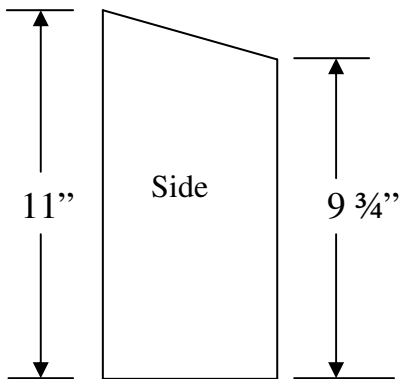
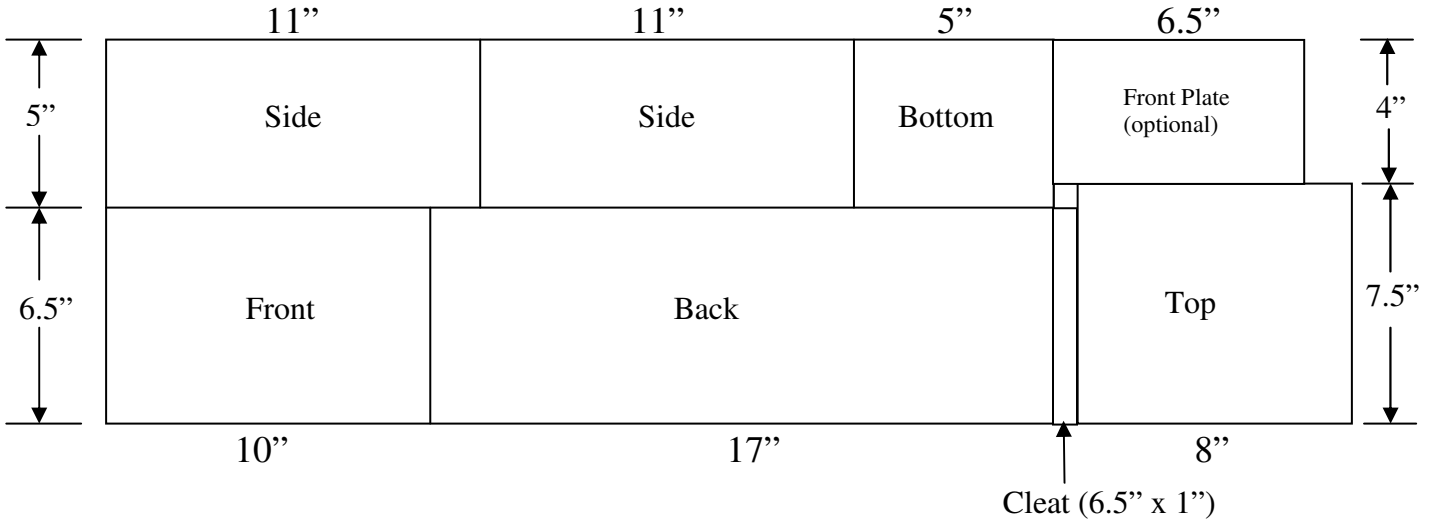
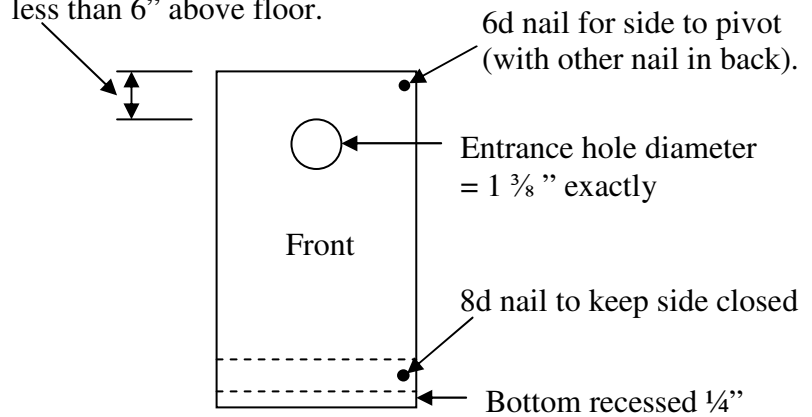


TREE OR VIOLET-GREEN SWALLOW HOUSE

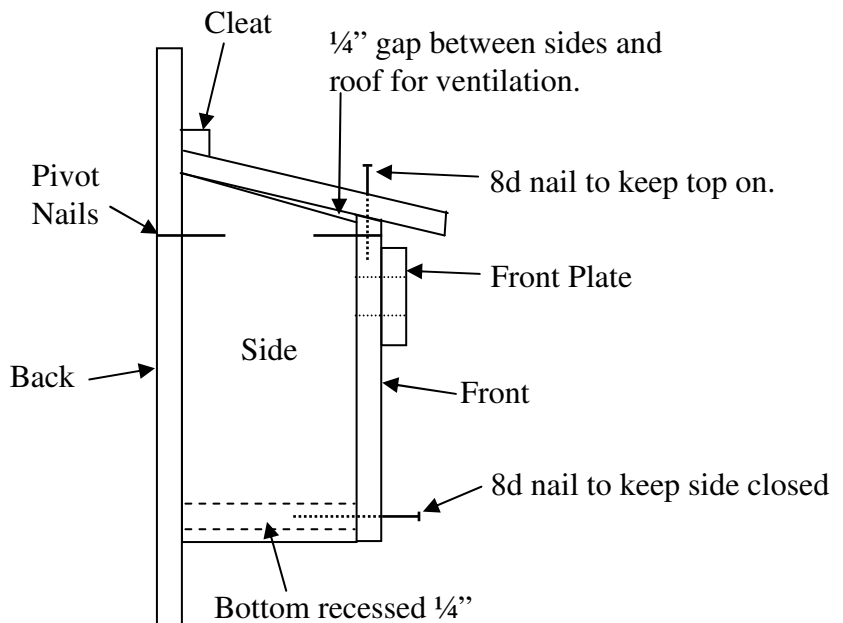
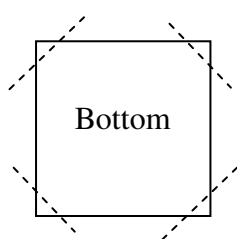
Drawing not to scale. Print this on legal size paper. Made from 3/4" plywood. Finish, exterior only, with spar varnish if you like. For inspection, the top is held in place only by the cleat and a galvanized nail, while one side pivots on 2 - 6d galvanized nails and is held closed with an 8d galvanized nail. The front, back & other side are glued and screwed together. The cleat is glued and screwed to the back. The optional Front Plate has a centered 1 3/8" hole and is glued and screwed to the front of the house centered on the entrance hole. Place the house about 5 – 15 feet off the ground with entrance facing away from the prevailing winds and storms. Violet-greens like their houses higher, while Tree Swallows will tolerate the lower heights. They both prefer open areas, but Violet-greens will nest in open mixed forests.



Top of hole 1 1/2" below top of front so that bottom of hole is a bit less than 6" above floor.



Cut 3/8" off each corner for drainage.



~11° angle cuts: top of front, cleat, & back of roof.